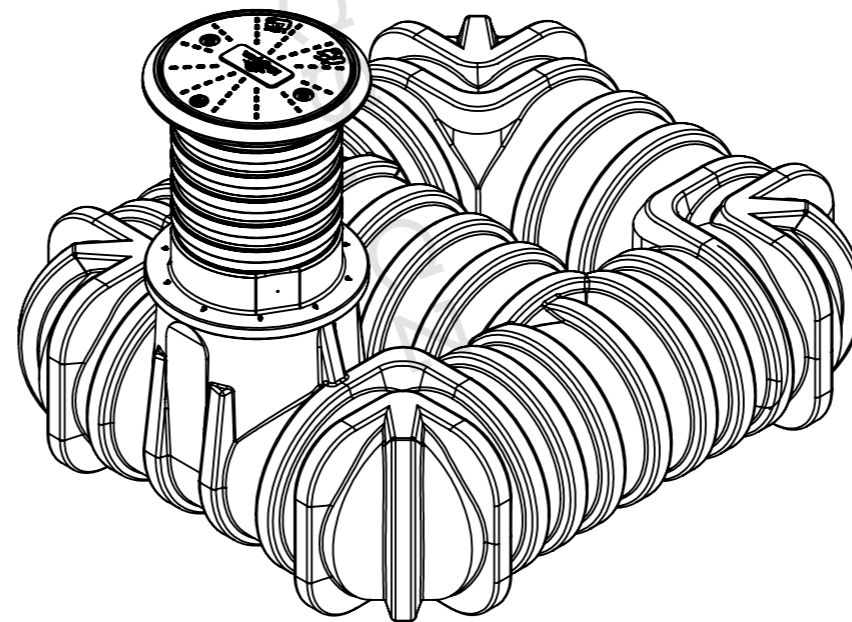
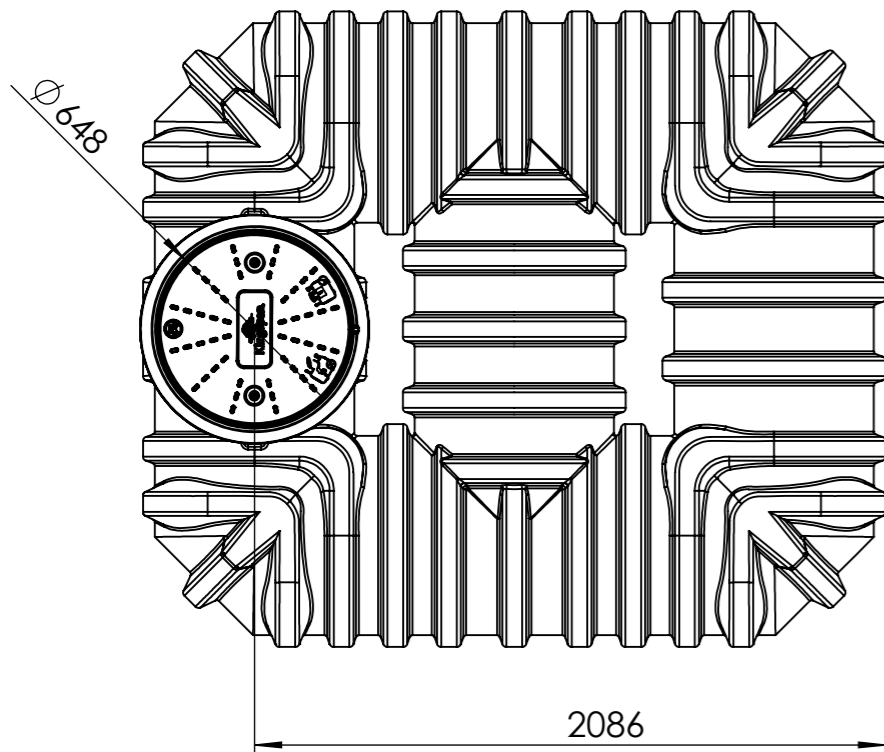


SECTION A-A



		FLAT 3 NO PIPES	